

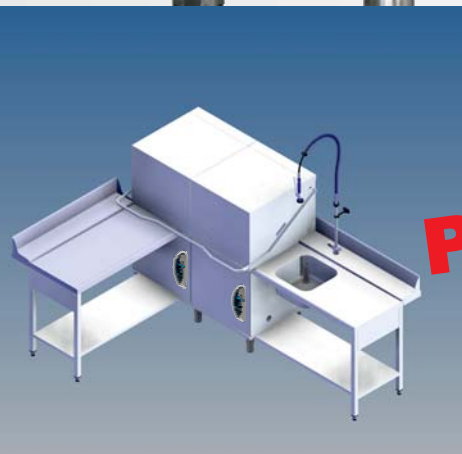
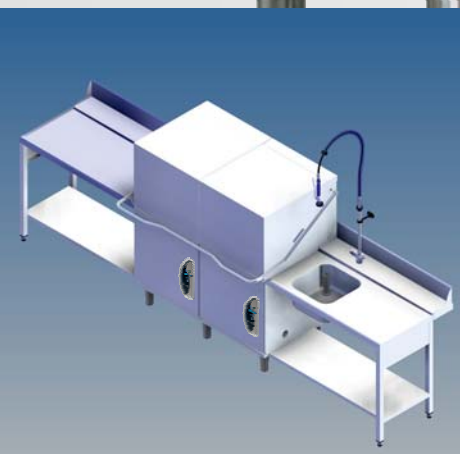
SERIE

 **lamber**[®]



**Double rack
pass-through dishwasher
L225-dy-TW**

**DOUBLED
PRODUCTIVITY**



Double rack pass-through dishwasher L225-dy-TW



Extractable tank filter
in stainless steel
construction

**DOUBLED
PRODUCTIVITY**

In case of lot of work you can profit by the double capacity. During low season or in case of not much work you can use only one machine, so to reduce the consumptions.



Tank with rounded edges and slanting bottom for the highest hygiene.



Characteristics

- Complete stainless steel construction 18/10 AISI 304;
- Soft touch electronic control panel;
- Washing period cycle 120"-180"-240"sec.+ endless cycle;
- Digital thermometers;
- Cycle start at hood closing;
- Lower and upper rotating wash arms in stainless steel;
- Lower and upper rotating rinse arms in stainless steel;
- 2 Integral tank filters;
- Detergent pump and rinse aid dispenser;
- Self-washing slanted tank with rounded edges;
- Double skin with thermic and acoustic insulation;
- Stainless steel washing pump;
- Rinsing booster pump;
- Automatic tank loading;
- Security thermostat;
- Plates clearance 415 mm;

MODEL

CODE

L225-dy-TW

AA00127

L225-dy-TW-P

AA00147

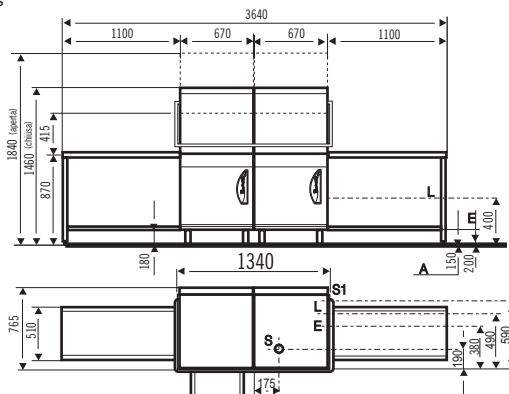
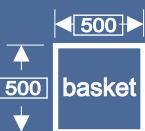
vers. drain pump

Control panel with interactive graphic display

- Complete programming of all the washing parameters;
- Graphic display with description of washing steps;
- Programming of the timing of detergent and rinse-aid pumps;
- Cycle counter;
- Service maintenance function;
- Descaling function (OPTION);

Accessories

- 4 plastic baskets for 12/18 dishes
- 2 plastic general baskets
- 2 rilsan baskets for 24 dishes
- 4 cutlery containers



S - Drain 32 mm - 1"1/4 G
 M - Water inlet
 L - Electric input

Linear and corner version are both possible.

Specifications	L225-dy-TW	
WASHING CAPACITY baskets/h	120-60-40	Nr.
DISHES PER BASKETS	2160-1040-720 (2880)	Nr
WASH CYCLE	1-2-3	mm
PLATES CLEARANCE	415	W
S.S. WASHING PUMP	2x1100	W
RINSING PUMP	385	W
DRAIN PUMP (L225-dy-TW-P)	30	W
WASH TANK ELEMENT	2x6000	W
RINSE ELEMENT	2x9000	W
TANK CAPACITY	34+34	Lt.
CYCLE WATER CONSUMPTION	5,2	Lt.
TOTAL RATING	20.200	W
VOLTAGE	400 V3N-50Hz	V
WATER CONNECTION	45+50	°C

THINKING
THE FUTURE



Via Italia, 6 - 26855 Lodivecchio (LO) Italy
 Tel. (0371) 753202 - 754248-9 Fax (0371) 752928
 www.lamber.com - e-mail: info@lamber.it

COMPANY WITH QUALITY
 MANAGEMENT SYSTEM
 CERTIFIED BY DNV GL
 = ISO 9001-2015 =