

SERIE  
**LP**

SERIE  
**PT**

**lamber**  
Industrial Dishwashers



- LP6/L-dy \_\_\_\_\_
- LP6-dy \_\_\_\_\_
- LP8-dy \_\_\_\_\_
- LP8/L-dy \_\_\_\_\_
- LP31/L-dy \_\_\_\_\_
- LP31-dy \_\_\_\_\_
- LP38/L-dy \_\_\_\_\_
- LP38-dy \_\_\_\_\_
- PT850-dy \_\_\_\_\_
- PT850/L-dy \_\_\_\_\_
- PT1500-dy \_\_\_\_\_
- PT1500/L-dy \_\_\_\_\_

Pot-washing machines

Glasswasher



Undercounter dishwashers



Vegetables washing-drying machines



Pass trough dishwashers



Dishwashers with Pull-through rack



Belt towing dish washers



SERIE  
**LP**

LP6/L-dy  
LP6-dy  
LP8-dy  
LP8/L-dy  
LP31/L-dy  
LP31-dy  
LP38/L-dy  
LP38-dy

## FRONT POT-WASHING MACHINES

The front pot-washing machines LAMBER are planned to meet any kind of requirements as far as performances and functionality concerns. They represent a valid solution to wash pots, baking tins as well as containers, basins and all kind of kitchen utensils, from whisks to each kind of pots. Easy to be used and serviced, the pot-washing machines LP6-dy and LP31-dy with respectively 700x700 mm and 1350x700 mm baskets are suitable for narrow spaces.

- Complete stainless steel construction AISI 304 18/10.
- Soft-touch electronic control panel.
- Control panel with interactive graphic display.
- 3 Integral tank filters.
- Automatic tank loading.
- Door opening safety device.
- Security thermostat.
- Stainless steel lower and upper rotating washing.
- Stainless steel lower and upper rotating rinsing.
- Rounded edge tank with slanting plate.
- Autodrainage inclined stainless steel washing pump with stainless steel impeller.
  - Rinsing pump made of stainless steel with stainless steel impeller (made of bronze in the models LP6/L-dy, LP8/L-dy, LP31/L-dy e LP38/L-dy).
- Vapour extract system;
- Extractable control panel for easy maintenance.
- Thermocontrol: it guarantees that the rinsing cycle starts only when the water reaches 85°C.
- Self-cleaning of the tank.
- Double counterbalanced frontal door.
- Double insulated door for tank and hood.

- The counterbalanced and with ergonomic design door assure a comfortable and reliable grip.

### Issue:

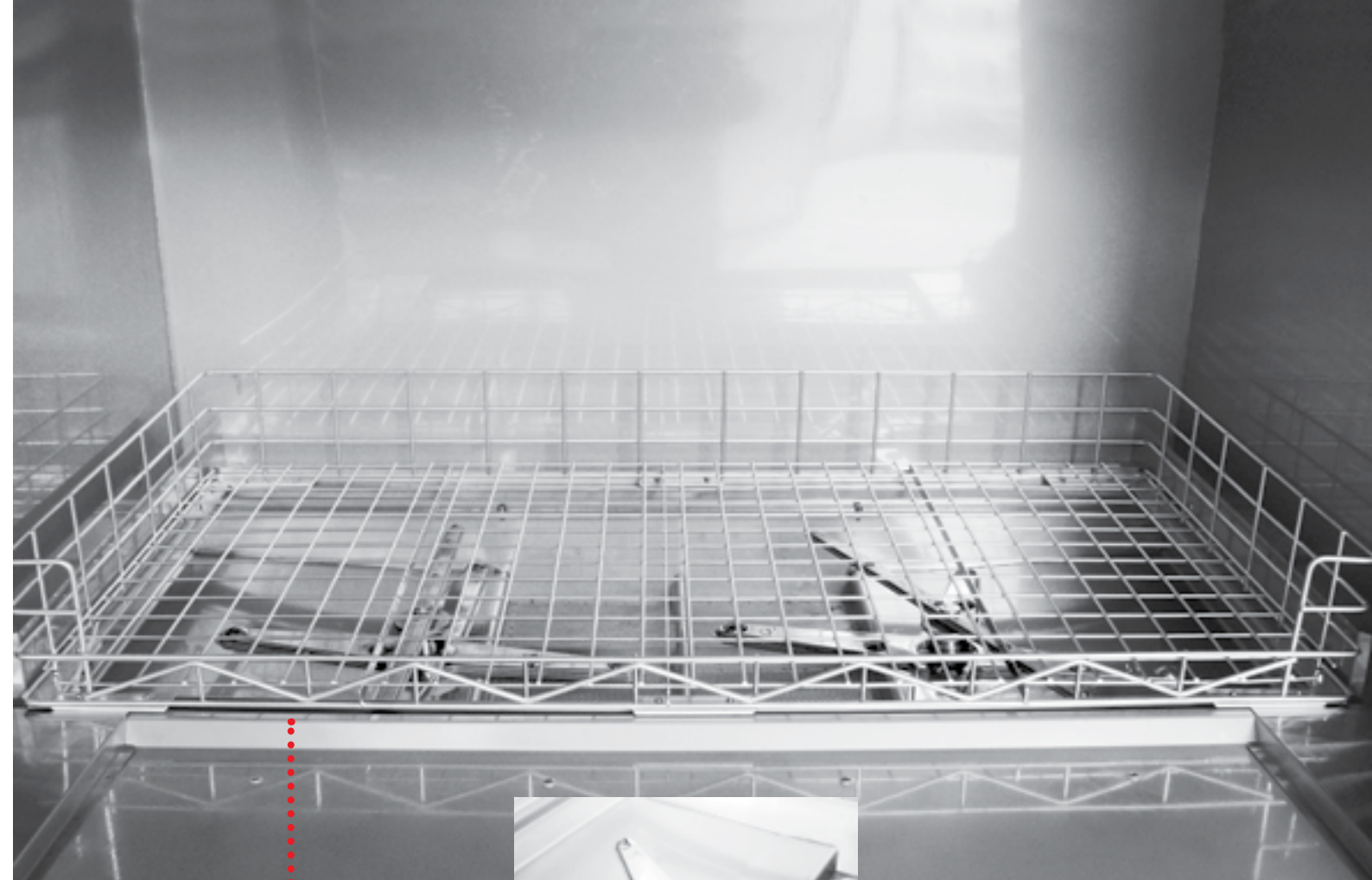
- 1 basket for pots.
- one 3 baking pans insert.

LP6/L-dy  
LP6-dy

thinking  
the future







Thanks to the stainless steel basket open on the frontal side, it's easy to load and unload the objects to wash.



**LP8-dy**  
**LP8/L-dy**

- New control panel with interactive graphic display.



# SERIE LP

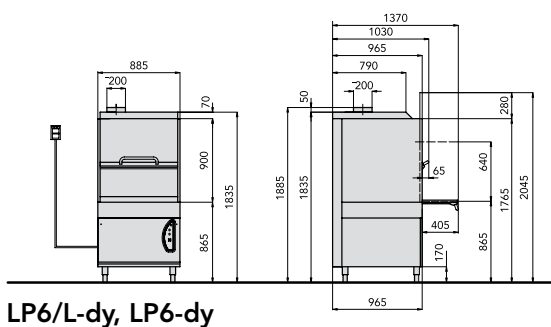
The wash arm with 4 spokes and with drawn nozzles reaches a considerable washing power.



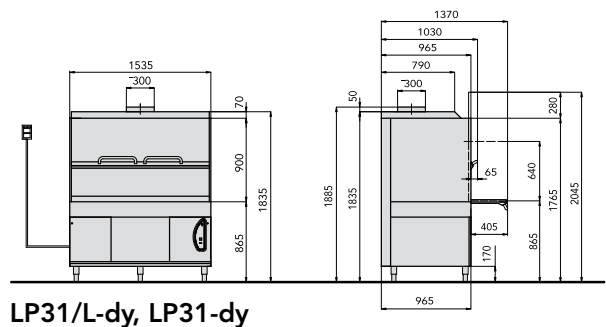
Detail of the upper washing and rinsing arm. It's easy and immediate to disassemble it and it's not necessary to use tools.

The stainless steel washing components assure full reliability during the working stages. The high quality achieved guarantees therefore considerable hygienic results.

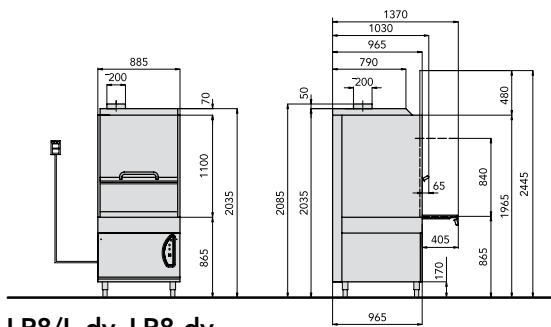
thinking  
the future



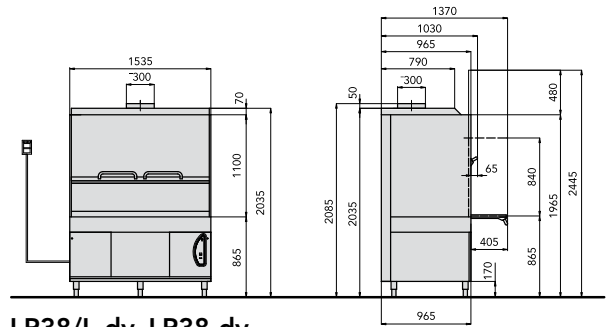
LP6/L-dy, LP6-dy



LP31/L-dy, LP31-dy



LP8/L-dy, LP8-dy



LP38/L-dy, LP38-dy





SERIE  
**PT**

**PT850-dy**  
**PT850/L-dy**  
**PT1500-dy**  
**PT1500/L-dy**

## TUNNEL POT-WASHING MACHINES

The tunnel pot-washing machines PT850-dy and PT1500-dy are the admirals of the new LAMBER series. They can be used in a number of ways and the possibility to load and unload the basket through lateral shelves makes it possible to create professional washing plants with a reduction of passive working times. Easily accessible from any side, these pot-washing machines are insuperable with regards to cleaning and servicing.

- Complete stainless steel construction AISI 304 18/10.
- Soft-touch electronic control panel.
- Control panel with interactive graphic display.
- Stainless steel lower and upper rotating washing.
- Stainless steel lower and upper rotating rinsing.
- Rounded edge tank with slanting plate.
- 3 Integral tank filters.
- Automatic tank loading.
- Door opening safety device.
- Security thermostat.
- Autodraining inclined stainless steel washing pump with stainless steel impeller.
- Rinsing pump made of stainless steel with stainless steel impeller. (made of bronze in the models PT850/L-dy PT1500/L-dy)
- Vapour extract system;
- Extractable control panel for easy maintenance.
- Thermocontrol: it guarantees that the rinsing cycle starts only when the water reaches 85°C.
- Self-cleaning of the tank.
- Side counterbalanced doors lifting through ergonomic handle.
- Double insulated wall for tank (isolation of the side doors on demand).

### Issue:

- 2 baskets for pots.
- Two 3 baking pans inserts.

thinking  
the future



**PT850-dy**  
**PT850/L-dy**



**lamber**  
Industrial Dishwashers



The big tank capacity assures an ideal water quantity for an effective washing. The stainless steel components assure a long life.

The stainless steel washing and rinsing nozzles guarantee the biggest mechanical strength and they have been designed to guarantee the best washing results of the objects that have to be cleaned.



**PT1500-dy**  
**PT1500/L-dy**



**PT850-dy**  
**PT850/L-dy**

• *New control panel with interactive graphic display.*

- Complete programming off all the washing parameters.
- Graphic display with description of washing steps.
- Programming of the timing of detergent and rinse-aid pumps.
- Cycle counter.
- Service maintenance function.
- Descaling function. (Option)





thinking  
the future

PT1500-dy  
PT1500/L-dy



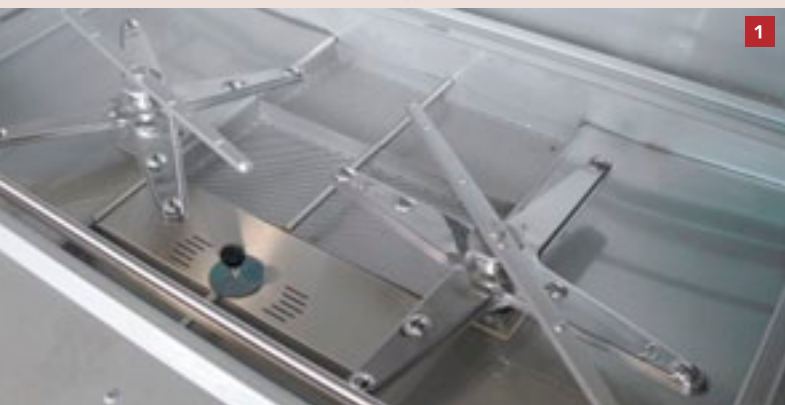
PT1500-dy  
PT1500/L-dy

**1** The washing-arm (2 upper and 2 lower) with 4 spokes and with drawn nozzles reaches a considerable washing power.

**2** The stainless steel washing components assure full reliability during the working stages.

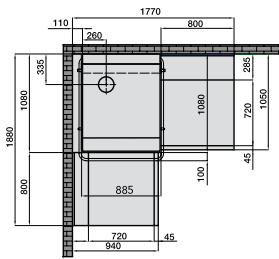
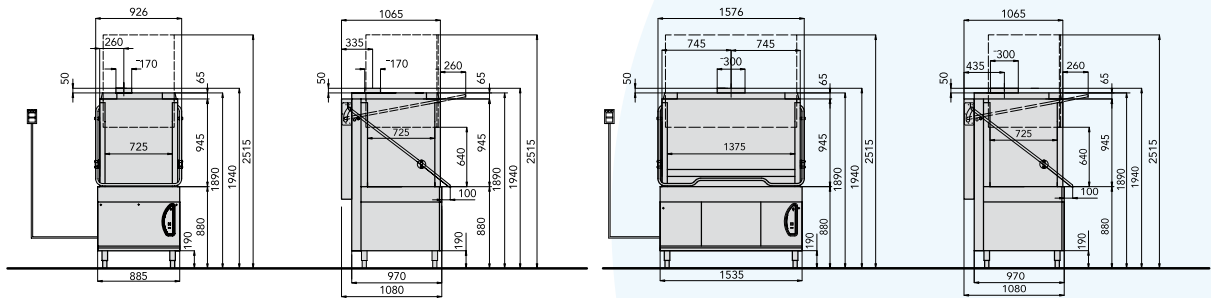
**3** With pot-washing machines with pullthrough rack it's possible to insulate the lateral panels to reduce noise and heat waste.

**4** Models LP31-ek, LP38-ek and PT1500-ek have a big washing power thanks to the 4 stainless steel autodraining pumps. The immediate accessibility to the components for a quick servicing is guaranteed by a careful design of the components position. A careful design that takes care of all his users.

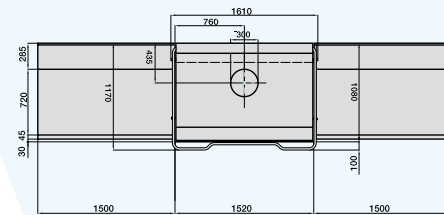


designing  
the present





PT850/L-dy  
PT850-dy



PT1500/L-dy  
PT1500-dy

### SPECIFICATIONS - PASS-THROUGH POT-WASHING MACHINES

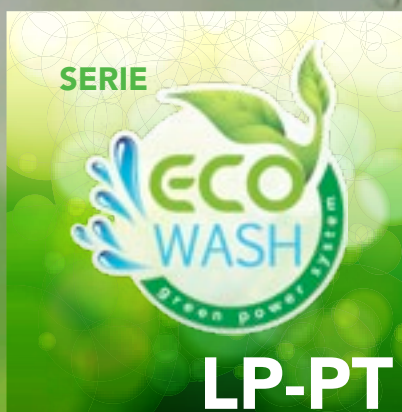
MODEL	PT850-dy	PT850/L-dy	PT1500-dy	PT1500/L-dy	
DIMENSIONS l x w x h	885x1080x1890	885x1080x1890	1535x1080x1890	1535x1080x1890	mm
WASHING CAPACITY baskets/H	20/12/8	30/20/15	20/12/8	20/12/8	Nr.
WASH CYCLE	3'-5'-7'	2'-3'-4'	3'-5'-7'	3'-5'-7'	Min.
BASKET SIZE	700x700	700x700	1300x700	1300x700	mm
WORK HEIGHT	865	865	865	865	mm
DAYLIGHT	700	700	640	640	mm
VOLTAGE	400 V3/N~50Hz	400 V3/N~50Hz	400 V3/N~50Hz	400 V3/N~50Hz	V
WASHING PUMP	2x1500	1x3000	4x1500	2x3000	W
RINSING PUMP	550	550	550	550	W
WASH TANK ELEMENTS (electric)	9000	6000	9000	6000	W
RINSE TANK ELEMENTS (electric)	9000	6000	2x9000	6000	W
TOTAL RATING (electric)	12000	9000	24000	12000	W
MAX CURRENT INTENSITY	20	13	38	38	A
TANK CAPACITY	110	110	177	177	Lt
BOILER CAPACITY	8	8	2x8	12	Lt
WATER CONNECTION	50 ÷ 55	50 ÷ 55	50 ÷ 55	50 ÷ 55	°C
CYCLE WATER CONSUMPTION	6	4	12	12	l
HOURLY WATER CONSUMPTION	120-72-48	120-80-60	240-144-96	240-144-96	l
WATER PRESSURE	2 ÷ 4	2 ÷ 4	2 ÷ 4	2 ÷ 4	Bar
STEAM PRESSURE	0,5 ÷ 2	0,5 ÷ 2	0,5 ÷ 2	0,5 ÷ 2	Bar
WATER HARDNESS	5 ÷ 10	5 ÷ 10	5 ÷ 10	5 ÷ 10	°F
RINSING WATER TEMPERATURE	80 ÷ 90	80 ÷ 90	80 ÷ 90	80 ÷ 90	°C
WATER INLET	1"	1"	1"	1"	"G
WATER OUTLET	1"1/2	1"1/2	1"1/2	1"1/2	"G
NET WEIGHT	220	220	450	450	kg
GROSS WEIGHT	235	235	480	480	kg
PACKING DIMENSIONS	1200x1300x2300	1200x1300x2300	1750x1300x2300	1750x1300x2300	mm
NOISE	<70	<70	<70	<70	dB(A)
AUTODRAINING WASHING PUMP	si	si	si	si	
<b>OPTIONALS</b>					
DRAIN PUMP	30	30	30	30	W

# POT-WASHING MACHINES WITH STEAM MORE WHOLESOME ENVIRONMENTS

SERIE



## FOR ENVIRONMENT AND HUMAN BEING'S RESPECT



**ECO-WASH** logo distinguishes all **LAMBER** products with reduced environmental impact, for a considerable reduction of energy use and an operating costs saving.

designing  
the present

thinking  
the future



# M CONDENSER AND ABSOLUTE PERFORMANCES

SERIE

**LP**  
CVP/S  
CVP/M

SERIE

**PT**  
CVP/S  
CVP/M

The steam condenser allows to improve the environments' wholesomeness and most of all to regenerate heat to make your dishwasher more efficient.

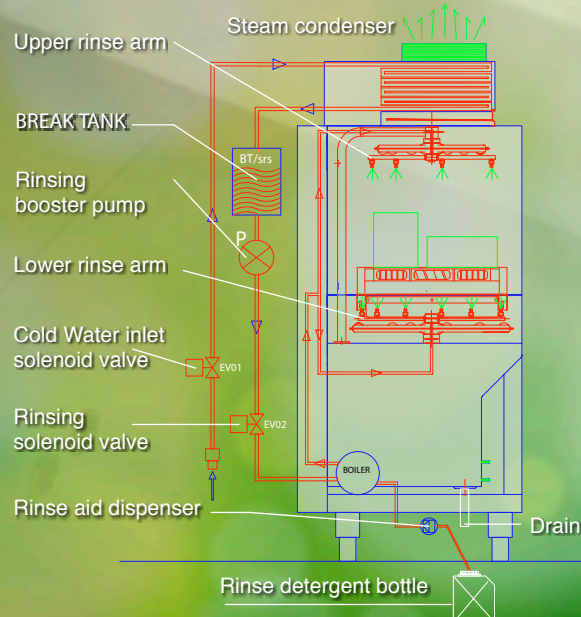
Hot air and steams, that come out from the machine, are sucked by the pipe coil and give their heat to the water that flows inside the pipes. Then water is carried to the rinse-tank, regenerating this way heat otherwise dispersed.

Thanks to this system, the additional cost for a connection to a ventilation/extraction system in the dishwashing area to create optimal working conditions is avoided.

Moreover the extractable upper filter allows to keep unaltered during the time the system's efficiency. With open machine, dimensions are unchanged compared with a standard Potwasher.

The overall dimensions are a little bigger only with lowered hood.

## HYDRAULIC DRAWING SYSTEM



The extractable upper filter allows to maintain the system's efficiency unaltered in the time.



SERIE



LP-PT

# ADVANTAGES OF THE NEW

## YOU ECONOMIZE BECAUSE IT'S NOT NECESSARY TO FEED THE DISHWASHER WITH HOT WATER

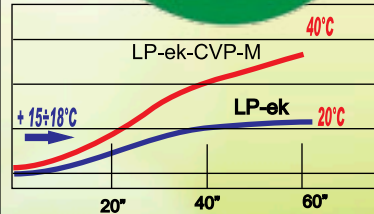
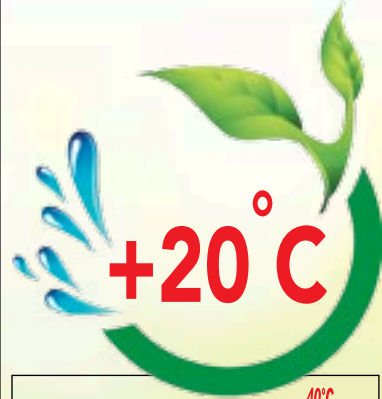
The machine is connected to cold water for the rinse feeding and to hot water only for the wash tank filling, so to immediately have a first consumption saving.

## YOU ECONOMIZE IMMEDIATELY 9÷18 Kw

The boiler's heating element is reduced, instead of the usually required to obtain the same performances in case of cold water feed (-50% of electric energy consumption!).

## YOU RECOVER 20°C

Hot air and steams, that are sucked by the upper pipe coil, give their heat to the water that flows inside the pipes, increasing this way the water's temperature of 20°C.





thinking  
the future



# SYSTEM

## YOU WORK IN HEALTHIER ENVIRONMENTS

On opening the hood at the end of every washing cycle, the steam emission that usually assails the user is completely eliminated.

## AN EXTRA EXTRACTION SYSTEM IS NOT NECESSARY

Steam emission is completely eliminated! The additional cost for a connection to a ventilation/extraction system in the dishwashing area is this way avoided.



Pot-washing  
machines with  
steam condenser  
CVP-S for model

LP6-dy  
LP6/L-dy  
LP8-dy  
LP8/L-dy  
PT850-dy  
PT850/L-dy

Pot-washing  
machines with  
steam condenser  
CVP-M for model

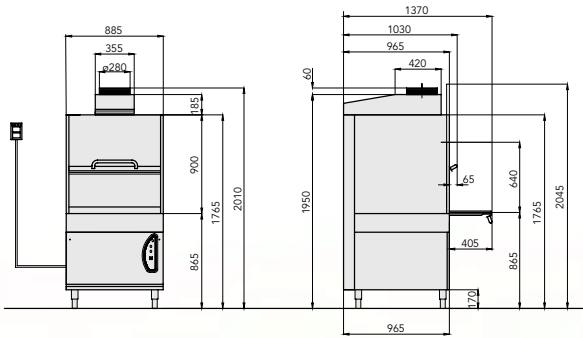
LP31-dy  
LP31/L-dy  
LP38-dy  
LP38/L-dy  
PT1500-dy  
PT1500/L-dy

designing  
the present

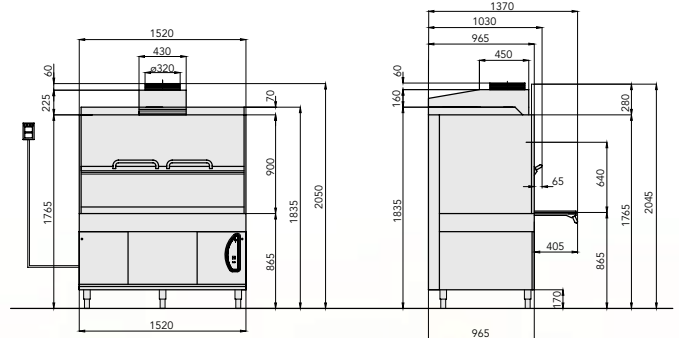
SERIE



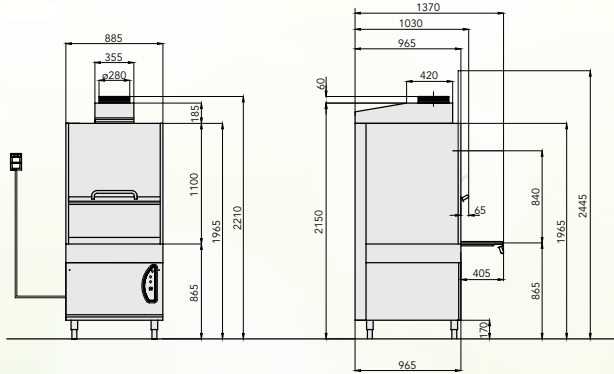
# TECHNICAL DRAWINGS POT-WASHING MACHINES WITH STEAM CONDENSER CVP/S - CVP/M



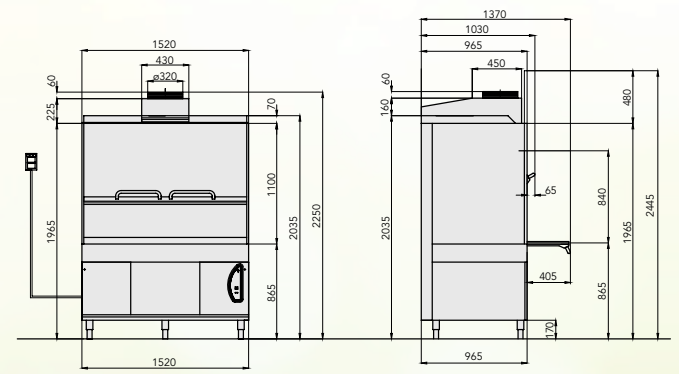
LP6-dy-CVP-S  
LP6/L-dy-CVP-S



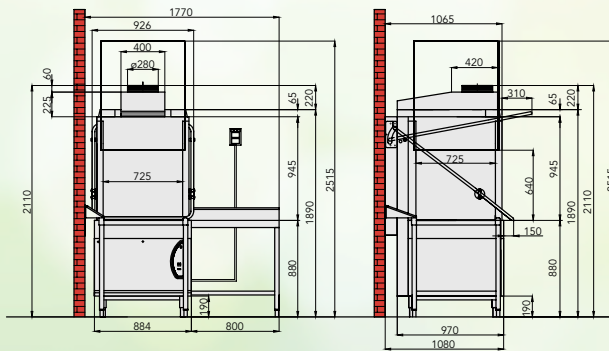
LP31-dy-CVP-M  
LP31/L-dy-CVP-M



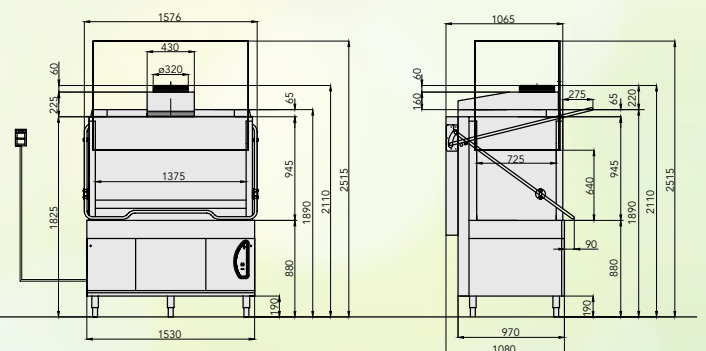
LP8-dy-CVP-S  
LP8/L-dy-CVP-S



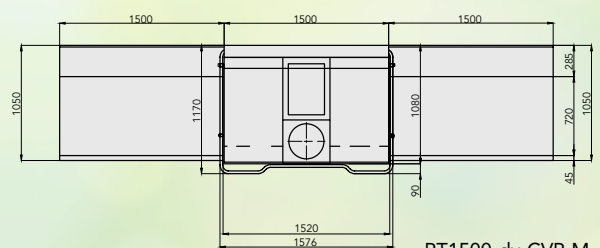
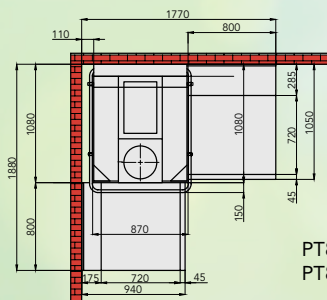
LP38-dy-CVP-M  
LP38/L-dy-CVP-M



PT850-dy-CVP-S  
PT850/L-dy-CVP-S



PT1500-dy-CVP-M  
PT1500/L-dy-CVP-M





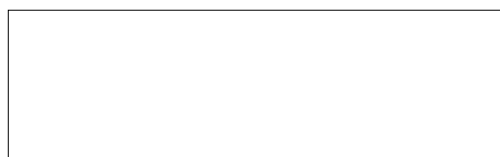
SPECIFICATIONS - FRONTAL POT-WASHING MACHINES with STEAM CONDENSER										
MODEL	LP6-dy	LP6/L-dy	LP8-dy	LP8/L-dy	LP31-dy	LP31/L-dy	LP38-dy	LP38/L-dy		
<b>STEAM CONDENSER</b>	<b>CVP-S</b>				<b>CVP-M</b>					
DIMENSIONS l x w x h	885x965x2010	885x965x2010	885x965x2210	885x965x2210	1520x965x2050	1520x965x2050	1520x965x2250	1520x965x2250	mm	
WASHING CAPACITY baskets/H	20/12/8	30/20/15	20/12/8	30/20/15	20/12/8	20/12/8	20/12/8	20/12/8	Nr.	
WASH CYCLE	3'-5'-7'	2'-3'-4'	3'-5'-7'	2'-3'-4'	3'-5'-7'	3'-5'-7'	3'-5'-7'	3'-5'-7'	Min.	
BASKET SIZE	700x700	700x700	700x700	700x700	1300x700	1300x700	1300x700	1300x700	mm	
WORK HEIGHT	865	865	865	865	865	865	865	865	mm	
DAYLIGHT	640	640	840	840	640	640	840	840	mm	
VOLTAGE	400 V3/N-50Hz	400 V3/N-50Hz	400 V3/N-50Hz	400 V3/N-50Hz	400 V3/N-50Hz	400 V3/N-50Hz	400 V3/N-50Hz	400 V3/N-50Hz	V	
WASHING PUMP	2x1500	1x3000	2x1500	1x3000	4x1500	2x3000	4x1500	2x3000	W	
RINSING PUMP	550	550	550	550	550	550	550	550	W	
WASH TANK ELEMENTS (electric)	6000	6000	6000	6000	6000	6000	6000	6000	W	
RINSE TANK ELEMENTS (electric)	6000	6000	6000	6000	2x6000	9000	2x6000	9000	W	
TOTAL RATING (electric)	15000	9000	15000	9000	24000	21000	24000	21000	W	
MAX CURRENT INTENSITY	20	13	20	20	38	38	38	38	A	
TANK CAPACITY	110	110	110	110	177	177	177	177	Lt	
BOILER CAPACITY	8	8	8	8	2x8	12	2x8	12	Lt	
COLD WATER CONNECTION	12 ÷ 15	12 ÷ 15	12 ÷ 15	12 ÷ 15	12 ÷ 15	12 ÷ 15	12 ÷ 15	12 ÷ 15	°C	
CYCLE WATER CONSUMPTION	6	4	6	4	12	12	12	12	l	
HOUR WATER CONSUMPTION	120-72-48	120-80-60	120-72-48	120-80-60	240-144-96	240-144-96	240-144-96	240-144-96	l	
WATER PRESSURE	2 ÷ 4	2 ÷ 4	2 ÷ 4	2 ÷ 4	2 ÷ 4	2 ÷ 4	2 ÷ 4	2 ÷ 4	Bar	
STEAM PRESSURE	0,5 ÷ 2	0,5 ÷ 2	0,5 ÷ 2	0,5 ÷ 2	0,5 ÷ 2	0,5 ÷ 2	0,5 ÷ 2	0,5 ÷ 2	Bar	
WATER HARDNESS	5 ÷ 10	5 ÷ 10	5 ÷ 10	5 ÷ 10	5 ÷ 10	5 ÷ 10	5 ÷ 10	5 ÷ 10	°F	
RINSING WATER TEMPERATURE	80 ÷ 90	80 ÷ 90	80 ÷ 90	80 ÷ 90	80 ÷ 90	80 ÷ 90	80 ÷ 90	80 ÷ 90	°C	
WATER INLET	1"	1"	1"	1"	1"	1"	1"	1"	"G	
WATER OUTLET	1"1/2	1"1/2	1"1/2	1"1/2	1"1/2	1"1/2	1"1/2	1"1/2	"G	
NET WEIGHT	220	220	250	250	500	500	500	500	kg	
GROSS WEIGHT	235	235	265	265	530	530	530	530	kg	
PACKING DIMENSIONS	1100x1200xh2200	1100x1200xh2200	1100x1200xh2400	1100x1200xh2400	1700x1200x2200	1700x1200x2200	1700x1200x2400	1700x1200x2400	mm	
NOISE	<70	<70	<70	<70	<70	<70	<70	<70	dB(A)	
AUTODRAINING WASHING PUMP	si	si	si	si	si	si	si	si		
<b>OPTIONALS</b>										
DRAIN PUMP	30	30	30	30	30	30	30	30	W	

SPECIFICATIONS - PASS-THROUGH POT-WASHING MACHINES with STEAM CONDENSER					
MODEL	PT850-dy	PT850/L-dy	PT1500-dy	PT1500/L-dy	
<b>STEAM CONDENSER</b>	<b>CVP-S</b>		<b>CVP-M</b>		
DIMENSIONS l x w x h	885x1080x2110	885x1080x2110	1530x1080x2110	1530x1080x2110	mm
WASHING CAPACITY baskets/H	20/12/8	30/20/15	20/12/8	20/12/8	Nr.
WASH CYCLE	3'-5'-7'	2'-3'-4'	3'-5'-7'	3'-5'-7'	Min.
BASKET SIZE	700x700	700x700	1300x700	1300x700	mm
WORK HEIGHT	865	865	865	865	mm
DAYLIGHT	700	700	640	640	mm
VOLTAGE	400 V3/N-50Hz	400 V3/N-50Hz	400 V3/N-50Hz	400 V3/N-50Hz	V
WASHING PUMP	2x1500	1x3000	4x1500	2x3000	W
RINSING PUMP	550	550	550	550	W
WASH TANK ELEMENTS (electric)	6000	6000	6000	6000	W
RINSE TANK ELEMENTS (electric)	6000	9000	2x6000	9000	W
TOTAL RATING (electric)	15000	12000	24000	21000	W
MAX CURRENT INTENSITY	20	13	38	38	A
TANK CAPACITY	110	110	177	177	Lt
BOILER CAPACITY	8	12	2x8	12	Lt
COLD WATER CONNECTION	12 ÷ 15	12 ÷ 15	12 ÷ 15	12 ÷ 15	°C
CYCLE WATER CONSUMPTION	6	4	12	12	l
HOUR WATER CONSUMPTION	120-72-48	120-80-60	240-144-96	240-144-96	l
WATER PRESSURE	2 ÷ 4	2 ÷ 4	2 ÷ 4	2 ÷ 4	Bar
STEAM PRESSURE	0,5 ÷ 2	0,5 ÷ 2	0,5 ÷ 2	0,5 ÷ 2	Bar
WATER HARDNESS	5 ÷ 10	5 ÷ 10	5 ÷ 10	5 ÷ 10	°F
RINSING WATER TEMPERATURE	80 ÷ 90	80 ÷ 90	80 ÷ 90	80 ÷ 90	°C
WATER INLET	1"	1"	1"	1"	"G
WATER OUTLET	1"1/2	1"1/2	1"1/2	1"1/2	"G
NET WEIGHT	200	200	450	450	kg
GROSS WEIGHT	215	215	480	480	kg
PACKING DIMENSIONS	1050x1300x2300	1050x1300x2300	1750x1300x2300	1750x1300x2300	mm
NOISE	<70	<70	<70	<70	dB(A)
AUTODRAINING WASHING PUMP	si	si	si	si	
<b>OPTIONALS</b>					
DRAIN PUMP	30	30	30	30	W

  
**Industrial Dishwashers**

Z.I. Via Italia, 6  
26855 Lodi Vecchio (LO) - Italy  
Tel. (0371) 75.42.48/9 - 75.32.02  
Fax (0371) 75.29.28  
sito web: [www.lamber.com](http://www.lamber.com)  
e-mail: [info@lamber.it](mailto:info@lamber.it)

COMPANY WITH QUALITY MANAGEMENT  
SYSTEM CERTIFIED BY DNV  
= ISO 9001:2008 =



The Manufacturer reserves the right to make modifications  
of materials and models without warning.